

ES/ESM End Suction Centrifugal Pump



Product Overview

ES/ESM end-suction centrifugal pump is used to transport clean water and media with physical and chemical properties similar to water. Non-flammable and explosive, low viscosity, no solid particles or fibers: this series of products have good cold and hot general performance, and are widely used in heating systems, cooling water circulation, water treatment systems and other fields.

Application

- Heating system
- Air-conditioning system
- Filtering and conveying
- Pipeline pressurization flushing and cleaning system
- Cooling water circulation
- Boiler feed water treatment system
- Equipment supporting system
- Agricultural irrigation

Operating Condition

Transport medium: clear water and medium with physical and chemical properties similar to water, low viscosity, No solid particles or fibers.

Diameter of pump: 50-300mm at the suction port and 32-250mm at the discharge port.

Rotational speed: 1450/2900(50Hz) 1750/3500(60Hz)

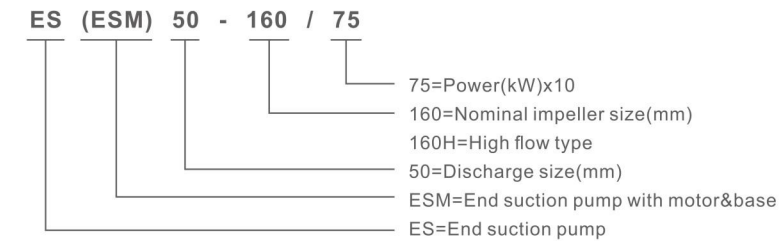
Flow range: 2~140 m³/h

Head range: 1~140m

Medium PH: 6.5~8.5 as standard and 4~10 as optional.

Working pressure: 1.0 MPa is standard, and 1.6 MPa is optional.

Model Definition



Features

Widely applicable

The high-efficiency standard motor adopts standardized design and is widely applicable.

Hot and cold universal

Long suspension design, excellent heat dissipation effect of pump body, capable of transporting media from -40°C to +120°C.

Convenient maintenance

Rear pull structure, can be repaired without disassembling the pipeline.

Special design of bearing chamber

Suitable for high head applications, the special design of the bearing chamber ensures the strength of the shaft and stronger product stability.

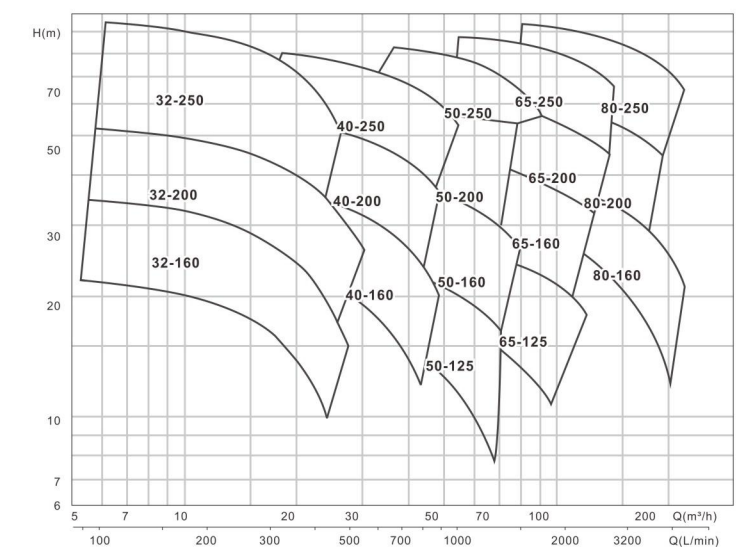
Personalized customization

Provide customized services for cast iron/SS304 impellers, packing seals/mechanical seals according to different usage needs.

Technical Sheet

Model	Detail
Delivery	0-1000 GPM
Head	0-164 m
Discharge	32-150 mm
Speed	2900 rpm
Tmax	120 °C
Power	1.5-315kW
Voltage	220/380/400/440 V
Frequency	50 Hz
Pump case	Cast iron
Impeller	Cast iron/SS304
Shaft	45# steel/SS304
Seal	SiC&Carbon
Bearing	Ball bearing

Type Spectrogram



Performance Table

Q=Delivery 50Hz n=2900

Model	DN mm	Power		GPM L/min m³/h	Q=Delivery 50Hz n=2900																			
		kW	HP		0	26	40	66	79	106	119	159	185	211	238	317	370	396	476	529	608	793	925	
					0	100	150	250	300	400	450	600	700	800	900	1200	1400	1500	1800	2000	2300	3000	3500	
ES 32-160/15	50x32	1.5	2	24	23.7	22.5	19.5	16.2	-	-	-	-	-	-	-	-	-	-	-	-	-			
ES 32-160/22	50x32	2.2	3	31	29.6	29	25.5	22.5	15	-	-	-	-	-	-	-	-	-	-	-	-			
ES 32-160/30	50x32	3	4	34.5	33.5	33	29	26.5	20	16.5	-	-	-	-	-	-	-	-	-	-	-			
ES 32-200/30	50x32	3	4	43.2	42	40.5	35.2	32.2	24.6	19.8	-	-	-	-	-	-	-	-	-	-	-			
ES 32-200/40	50x32	4	5.5	52	50.5	50	45.5	41.9	35	30.3	-	-	-	-	-	-	-	-	-	-	-			
ES 32-250/55	50x32	5.5	7.5	60	59.5	59	55	50.2	34.5	-	-	-	-	-	-	-	-	-	-	-	-			
ES 32-250/75	50x32	7.5	10	69.5	69	68.5	66	63	53	-	-	-	-	-	-	-	-	-	-	-	-			
ES 32-250/92	50x32	9.2	12.5	77	75.8	75.7	73.6	70	60	-	-	-	-	-	-	-	-	-	-	-	-			
ES 32-250/110	50x32	11	15	92	90	88.5	82.5	78	66	-	-	-	-	-	-	-	-	-	-	-	-			
ES 40-160/30	65x40	3	4	31.8	-	-	29.5	27.5	26.3	21.5	17.5	-	-	-	-	-	-	-	-	-	-			
ES 40-160/40	65x40	4	5.5	38	-	-	36	34	33	28.5	25	20.1	-	-	-	-	-	-	-	-	-			
ES 40-200/55	65x40	5.5	7.5	44	-	-	42	40	38	32	27	-	-	-	-	-	-	-	-	-	-			
ES 40-200/75	65x40	7.5	10	55	-	-	52	49	48	42	37	32	-	-	-	-	-	-	-	-	-			
ES 40-250/92	65x40	9.2	12.5	64	-	-	59	56.5	55	49.5	45	39.8	-	-	-	-	-	-	-	-	-			
ES 40-250/110	65x40	11	15	72	-	-	67.5	65	63.5	57.5	52.2	47	-	-	-	-	-	-	-	-	-			
ES 40-250/150	65x40	15	20	82	-	-	79.3	77.3	76.5	71	66	61	54.8	-	-	-	-	-	-	-	-			
ES 50-125/22	65x50	2.2	3	17	-	-	-	-	-	15.4	14	12.8	11.5	6.5	-	-	-	-	-	-	-			
ES 50-125/30	65x50	3	4	20	-	-	-	-	-	18.8	18	17	15.6	11	-	-	-	-	-	-	-			
ES 50-125/40	65x50	4	5.5	24	-	-	-	-	-	23.1	23	21.5	20.3	15.8	11.8	-	-	-	-	-	-			
ES 50-160/55	65x50	5.5	7.5	32	-	-	-	-	-	30.6	30	28	26.6	20.5	14.8	-	-	-	-	-	-			
ES 50-160/75	65x50	7.5	10	40	-	-	-	-	-	38	37	36	34.4	29	24	21	-	-	-	-	-			
ES 50-200/92	65x50	9.2	12.5	50.5	-	-	-	-	-	46.8	45	43	40.9	32.5	26.7	-	-	-	-	-	-			
ES 50-200/110	65x50	11	15	57.5	-	-	-	-	-	53.5	52	50	47.5	40	34	29	-	-	-	-	-			
ES 50-200/150	65x50	15	20	64	-	-	-	-	-	59.5	57.5	55	53	45	39.8	36	-	-	-	-	-			
ES 50-250/150	65x50	15	20	68.5	-	-	-	-	-	64	63	61.5	59	50	41	-	-	-	-	-	-			
ES 50-250/185	65x50	18.5	25	77	-	-	-	-	-	73.2	72	70	68	60.5	51.5	-	-	-	-	-	-			
ES 50-250/220	65x50	22	30	86.3	-	-	-	-	-	83	81.5	80	78	70	61	-	-	-	-	-	-			
ES 65-125/40	80x65	4	5.5	19	-	-	-	-	-	-	-	17.3	16.8	14.5	13	11.8	-	-	-	-	-			
ES 65-125/55	80x65	5.5	7.5	23	-	-	-	-	-	-	-	21.3	20.9	19	17.5	16.7	13.7	-	-	-	-			
ES 65-125/75	80x65	7.5	10	27	-	-	-	-	-	-	-	26	25.6	24.5	23	22.5	20	18	-	-	-			
ES 65-160/92	80x65	9.2	12.5	33	-	-	-	-	-	-	-	31.5	30	28	27.1	24	21.5	-	-	-	-			
ES 65-160/110	80x65	11	15	36	-	-	-	-	-	-	-	34.5	33	31.5	30.8	28	25.5	-	-	-	-			
ES 65-160/150	80x65	15	20	42	-	-	-	-	-	-	-	41	40	38.5	37.8	35	33	29.5	-	-	-			
ES 65-200/150	80x65	15	20	45.5	-	-	-	-	-	-	-	46	43.5	41	39.2	33	-	-	-	-	-			
ES 65-200/185	80x65	18.5	25	53	-	-	-	-	-	-	-	53.5	51.2	49	47	41.5	-	-	-	-	-			
ES 65-200/220	80x65	22	30	59	-	-	-	-	-	-	-	59.5	58	56	55	52	49.5	44.5	-	-	-			
ES 65-250/220	80x65	22	30	64.8	-	-	-	-	-	-	-	64.7	62	60	58.5	53	50	-	-	-	-			
ES 65-250/300	80x65	30	40	76	-	-	-	-	-	-	-	75	73	70	69	64	61	54	-	-	-			
ES 65-250/370	80x65	37	50	90	-	-	-	-	-	-	-	88	86	84	82	78	74	68	-	-	-			
ES 65-315/450	80x65	45	60	107	-	-	-	-	-	-	-	102.2	100	98	96.8	94.8	93	86	-	-	-			
ES 65-315/550	80x65	55	75	128	-	-	-	-	-	-	-	122.8	120.9	119.2	117.9	115.9	113	106	78	-	-			
ES 65-315/750	80x65	75	100	148	-	-	-	-	-	-	-	144.0	141.4	139.7	138.5	136.5	134	126	99	67.5	-			
ES 65-315/900	80x65	90	125	159	-	-	-	-	-	-	-	154.3	151.7	150.0	148.8	146.8	144	136	109	77.8	-			

Performance Table

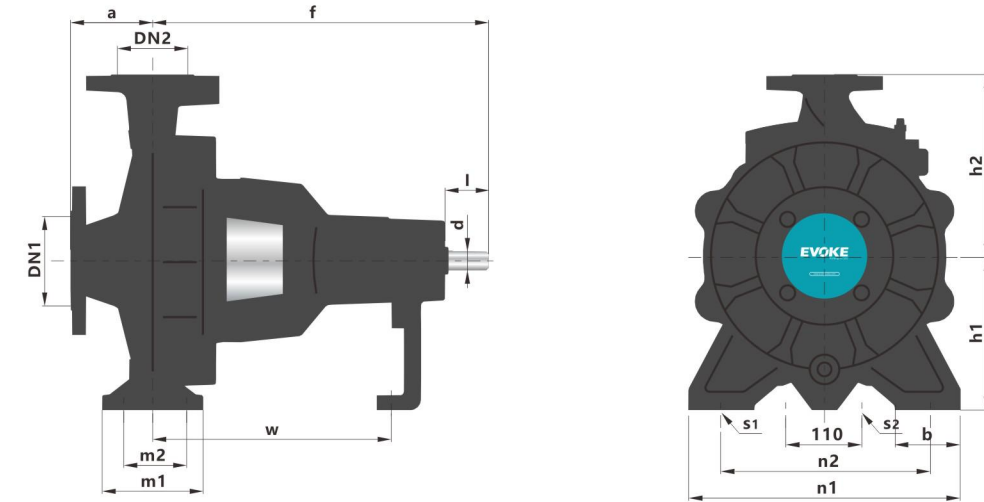
Q=Delivery 50Hz n=2900

Model	DN mm	Power		GPM L/min m³/h	Q=Delivery 50Hz n=2900																			
		kW	HP		0	264	396	529	634	793	881	925	969	1057	1233	1322	1586	1762	2203	2643	2907	3524	4405	
					0	1000	1500	2000	2400	3000	3333	3500	3667	4000	4667	5000	6000	6667	8333	10000	11000	13333	16667	
ES 80-125/40	100x80	5.5	7.8	17	15	12.3	7.5	-	-	-	-	-	-	-	-	-	-	-	-	-	-			
ES 80-125/55	100x80	7.5	10.6	21	19.6	17.4	13.4	9.5	-	-	-	-	-	-	-	-	-	-	-	-	-			
ES 80-125/75	100x80	10	14.4	26	24.8	23	19.5	16.5	-	-	-	-	-	-	-	-	-	-	-	-	-			
ES 80-160/110	100x80	11	15	27	27	27.3	24.5	22	16	-	-	-	-	-	-	-	-	-	-	-	-			
ES 80-160/150	100x80	15	20	32.8	32.6	32.5	30.2	27.5	22.1	18.5	16.7	-	-	-	-	-	-	-	-	-	-			
ES 80-160/185	100x80	18.5	25	39	38.5	38	35.7	33.5	28.8	25.3	23.5	-	-	-	-	-	-	-	-	-	-			
ES 80-160/220	100x80	22	30	44.9	44.4	43.9	42.5	39.4	34.5	30.9	29.1	-	-	-	-	-	-	-	-	-	-			
ES 80-200/220	100x80	22	30	48	47.7	47.5	43.5	40.5	32.5	27.2	24.5	-	-	-	-	-	-	-	-	-	-			
ES 80-200/300	100x80	30	40	60	59.7	59.5	57	54	47	42.7	40.5	-	-	-	-	-	-	-	-	-	-			
ES 80-250/370	100x80	37	50	71.5	70.9	70.5	65.5	61	49.5	43.2	38.5	-	-	-	-	-	-	-	-	-	-			
ES 80-250/450	100x80	45	60	82	86.7	80.5	76.5	71.5	62	60	51	-	-	-	-	-	-	-	-	-	-			
ES 80-250/550	100x80	55	75	95	94.5	93.5	89.9	86.5	77.6	72.1	68.3	-	-	-	-	-	-	-	-	-	-			
ES 80-315/450	100x80	45	60	88	87	85.1	84	80	70.3	63	58	-	-	-	-	-	-	-	-	-	-			
ES 80-315/550	100x80	55	75	101	100	98.5	98	94	83.7	76	71	-	-	-	-	-	-	-	-	-	-			
ES 80-315/750	100x80	75	100	128	127	125.2	125	121	110.5	103	98	93	83.2	-	-	-	-	-	-	-	-			
ES 80-315/900	100x80	90	125	148	147	145.8	145	141	131.1	124	118	113	103.8	-	-	-	-	-	-	-	-			
ES 80-315/1100	100x80	110	150	158	157	155.1	155	150	140.4	133	128	123	113.1	-	-	-	-	-	-	-	-			
ES 100-160/150	125x100	15	20	36.5	34.7	33.6	31	28.5	25	21.8	21.5	18.5	15.1	-	-	-	-	-	-	-	-			
ES 100-160/185	125x100	18.5	25	40	38.7	37.6	35.3	32.9	29.5	26	25.5	22.2	18.1	-	-	-	-	-	-	-	-			
ES 100-160/220	125x100	22	30	44.5	42.2	41.1	38.6	35.9	32	28.8	28.5	25.5	22.1	-	-	-	-	-	-	-	-			
ES 100-200/220	125x100	22	30	40.3	38.2	37	34.9	32.7	29.3	27.4	27.5	25.5	23.3	16.6	13.2	-	-	-	-	-	-			
ES 100-200/300	125x100	30	40	46.3	44	43.3	41.3	39.8	37.5	34.8	34.5	32.2	29.4	22	18.2	-	-	-	-	-	-			
ES 100-200/370	125x100	37	50	56.8	54.5	52.3	51.7	50.2	47.8	45.6	45.5	43.3	40.9	33.1	29.2	-	-	-	-	-	-			
ES 100-250/450	125x100	45	60	66.8	66.5	65.3	64.1	62	58.8	56.6	56.5	53.8	50.4	39.3	33.7	-	-	-	-	-	-			
ES 100-250/550	125x100	55	75	78.8	77.5	76.8	76.1	74.8	72.8	72.3	73	71.2	69.4	62.6	59.2	-	-	-	-	-	-			
ES 100-250/750	125x100	75	100																					

Performance Table

Q=Delivery 50Hz n=1450

Model	DN mm	Power		H=Head (m)															
		kW	HP	GPM	0	881	1322	1762	2203	2643	3084	3524	3965	4405	4846	5286	5727	6167	6608
				L/min	0	3333	5000	6667	8333	10000	11667	13333	15000	16667	18333	20000	21667	23333	25000
				m ³ /h	0	200	300	400	500	600	700	800	900	1000	1100	1200	1300	1400	1500
Es4 200-250/370	250x200	37	50		23.5	22.4	21.4	20.2	18.7	16.4	13.1	9.5	-	-	-	-	-	-	-
ES4 200-250/450	250x200	45	60		26.5	25.5	24.5	23.3	21.7	19.5	16.1	12.5	-	-	-	-	-	-	-
ES4 200-250/550	250x200	55	75		31.3	30.3	29.3	28.1	26.5	24.3	20.9	17.3	-	-	-	-	-	-	-
ES4 200-315/550	250x200	55	75		31.7	31.6	30.6	29.9	28.1	25.5	21.7	16.3	-	-	-	-	-	-	-
ES4 200-315/750	250x200	75	100		35.8	35.7	34.7	34	32.1	29.6	25.8	20.4	-	-	-	-	-	-	-
ES4 200-315/900	250x200	90	125		42.9	42.8	41.8	41.1	39.3	36.7	32.9	27.5	-	-	-	-	-	-	-
ES4 200-400/750	250x200	75	100		41.8	41.7	41.2	39.7	38.1	35.6	33.6	29.5	-	-	-	-	-	-	-
ES4 200-400/900	250x200	90	125		47.4	47.3	46.8	45.3	43.8	41.2	39.2	35.1	-	-	-	-	-	-	-
ES4 200-400/1100	250x200	110	150		53.4	53.3	52.8	51.3	49.8	47.2	45.2	41.1	-	-	-	-	-	-	-
ES4 200-400/1320	250x200	132	180		61.3	61.2	60.7	59.2	57.6	55.1	53	49	40.8	-	-	-	-	-	-
ES4 250-315/900	300x250	90	125		31.1	-	-	29.6	28.9	28.6	28.2	27.5	26.9	26.3	25.3	23.5	22.2	-	-
ES4 250-315/1100	300x250	110	150		35.2	-	-	33.7	32.9	32.6	32.2	31.6	31	30.4	29.4	27.5	26.3	-	-
ES4 250-315/1320	300x250	132	180		39.3	-	-	37.7	37	36.7	36.3	35.7	35.1	34.5	33.5	31.6	30.4	28.6	-
ES4 250-315/1600	300x250	160	220		45.9	-	-	44.4	43.7	43.4	42.9	42.3	41.7	41.1	40.1	38.3	37	35.2	-
ES4 250-400/1600	300x250	160	220		43.9	-	-	42.8	42	41.6	40.8	39.8	38.8	37.7	36.7	34.7	33.2	30.6	-
ES4 250-400/1850	300x250	185	250		47.9	-	-	46.9	46.1	45.7	44.9	43.9	42.8	41.8	40.8	38.8	37.2	34.7	-
ES4 250-400/2000	300x250	200	270		54.1	-	-	53	52.2	51.8	51	50	49	47.9	46.9	44.9	43.4	40.8	38.8
ES4 250-400/2200	300x250	220	300		59.2	-	-	58.1	57.3	56.9	56.1	55.1	54.1	53	52	50	48.5	45.9	43.9
ES4 250-400/2500	300x250	250	340		67.3	-	-	66.3	65.5	65.1	64.3	63.2	62.2	61.2	60.2	58.1	56.6	54.1	52



Installation Dimension

Model	Dimensions															
	DN1	DN2	a	f	h1	h2	b	m1	m2	n1	n2	s1	s2	w	d	l
ES 32-160	50	32	80	360	132	160	55	95	70	240	190	14	14	260	24	50
ES 32-200	50	32	80	360	160	180	55	95	70	240	190	14	14	260	24	50
ES 32-250	50	32	80	360	160	180	55	95	70	240	190	14	14	260	24	50
ES 40-160	65	40	80	360	132	160	50	100	70	240	190	14	14	260	24	50
ES 40-200	65	40	100	360	160	180	55	100	70	265	212	14	14	260	24	50
ES 40-250	65	40	100	360	180	225	65	125	95	320	250	14	14	260	24	50
ES 50-125	65	50	100	360	132	180	50	100	70	240	190	14	14	260	24	50
ES 50-160	65	50	100	360	160	200	55	100	70	265	212	14	14	260	24	50
ES 50-200	65	50	100	360	160	225	50	100	70	265	212	14	14	260	24	50
ES 50-250	65	50	100	360	180	180	65	125	95	320	250	14	14	260	24	50
ES 65-125	80	65	100	360	160	250	65	125	95	280	212	14	14	260	24	50
ES 65-160	80	65	100	360	160	200	65	125	95	280	212	14	14	260	24	50
ES 65-200	80	65	100	360	180	225	65	125	95	320	250	14	14	260	24	50
ES 65-250	80	65	100	470	200	250	80	160	120	360	280	18	14	340	32	80
ES 65-315	80	65	125	470	225	280	80	160	120	360	280	18	14	340	32	80
ES 80-125	100	80	100	360	180	225	65	125	95	320	250	14	14	260	24	50
ES 80-160	100	80	100	360	180	225	65	125	95	345	250	14	14	260	24	50
ES 80-200	100	80	100	470	200	250	65	125	95	345	280	14	14	340	32	80
ES 80-250	100	80	100	470	200	280	80	160	120	400	315	18	14	340	32	80
ES 80-315	100	80	125	470	250	315	80	160	120	400	315	18	14	340	24	50
ES 100-160	125	100	125	360	200	280	80	160	120	360	280	18	14	260	32	80
ES 100-200	125	100	125	470	200	280	80	160	120	360	280	18	14	340	32	80
ES 100-250	125	100	125	470	225	280	80	160	120	400	315	18	14	340	32	80
ES 100-315	125	100	140	470	250	315	80	160	120	400	315	19	14	340	32	80
ES 100-400	125	100	140	530	280	355	100	200	150	500	400	23	14	370	42	110
ES 125-200	150	125	140	470	250	315	80	160	120	400	315	19	14	340	32	80
ES 125-250	150	125	140	470	250	355	80	160	120	400	315	19	14	340	32	80
ES 125-315	150	125	140	530	280	355	100	200	150	500	400	23	14	370	42	110
ES 125-400	150	125	140	530	315	400	100	200	150	500	400	23	14	370	42	110
ES 150-200	200	150	160	470	280	400	100	200	150	550	450	23	14	370	32	80
ES 150-250	200	150	160	530	280	400	100	200	150	550	450	23	14	370	42	110
ES 150-315	200	150	160	530	280	400	100	200	150	550	450	23	14	370	42	110
ES 150-400	200	150	160	530	315	450	100	200	150	550	450	23	14	370	42	110
ES 200-250	250	200	180	530	355	475	100	200	150	550	450	23	14	370	42	110
ES 200-315	250	200	180	530	355	450	100	200	150	550	450	23	14	370	42	110
ES 200-400	250	200	180	770	400	500	110	300	250	710	600	28	14	525	60	140
ES 250-315	300	250	250	530	400	500	110	300	250	710	600	28	14	525	42	110
ES 250-400	300	250	250	770	400	560	110	300	250	710	600	28	14	525	60	140